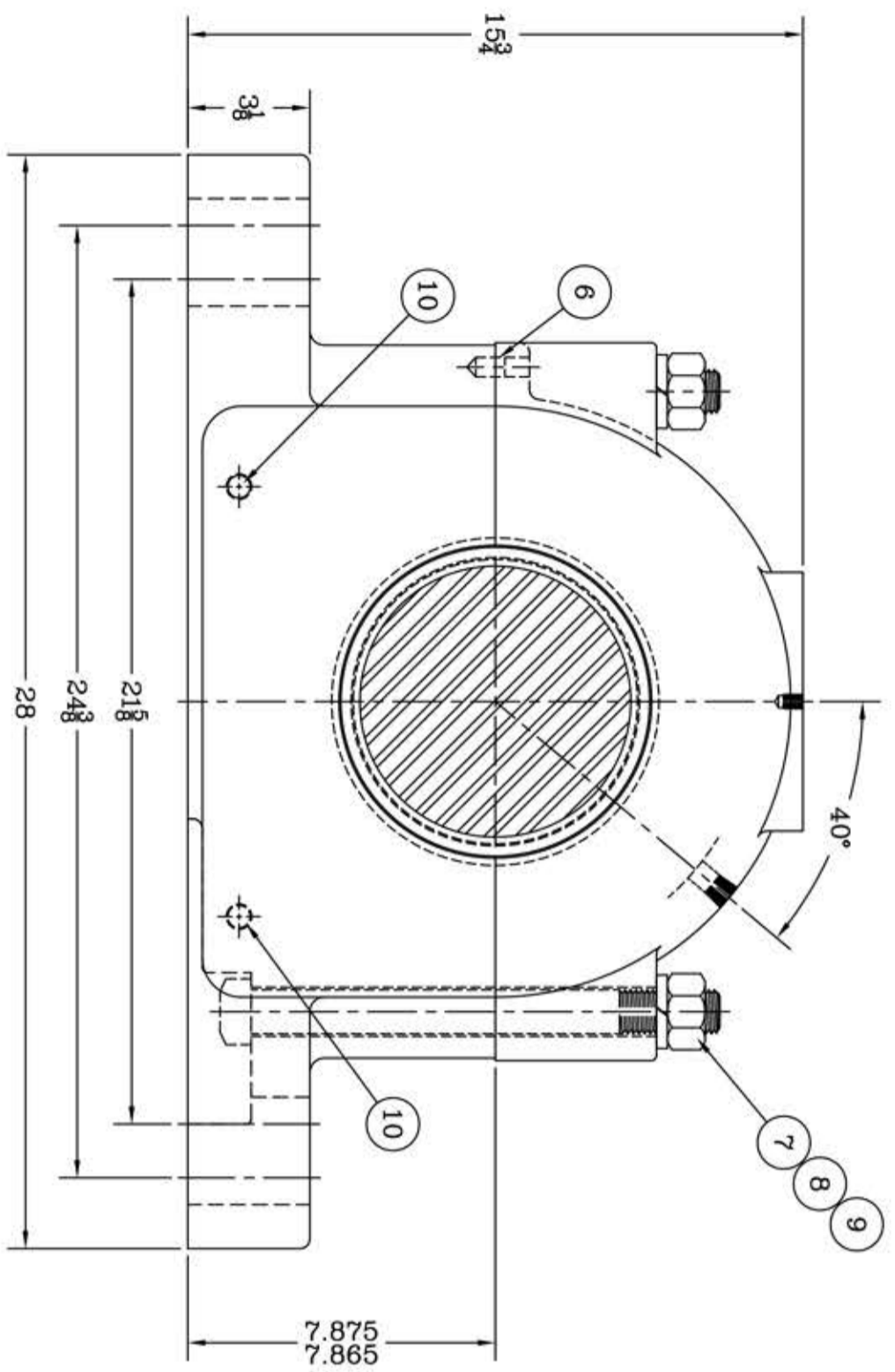
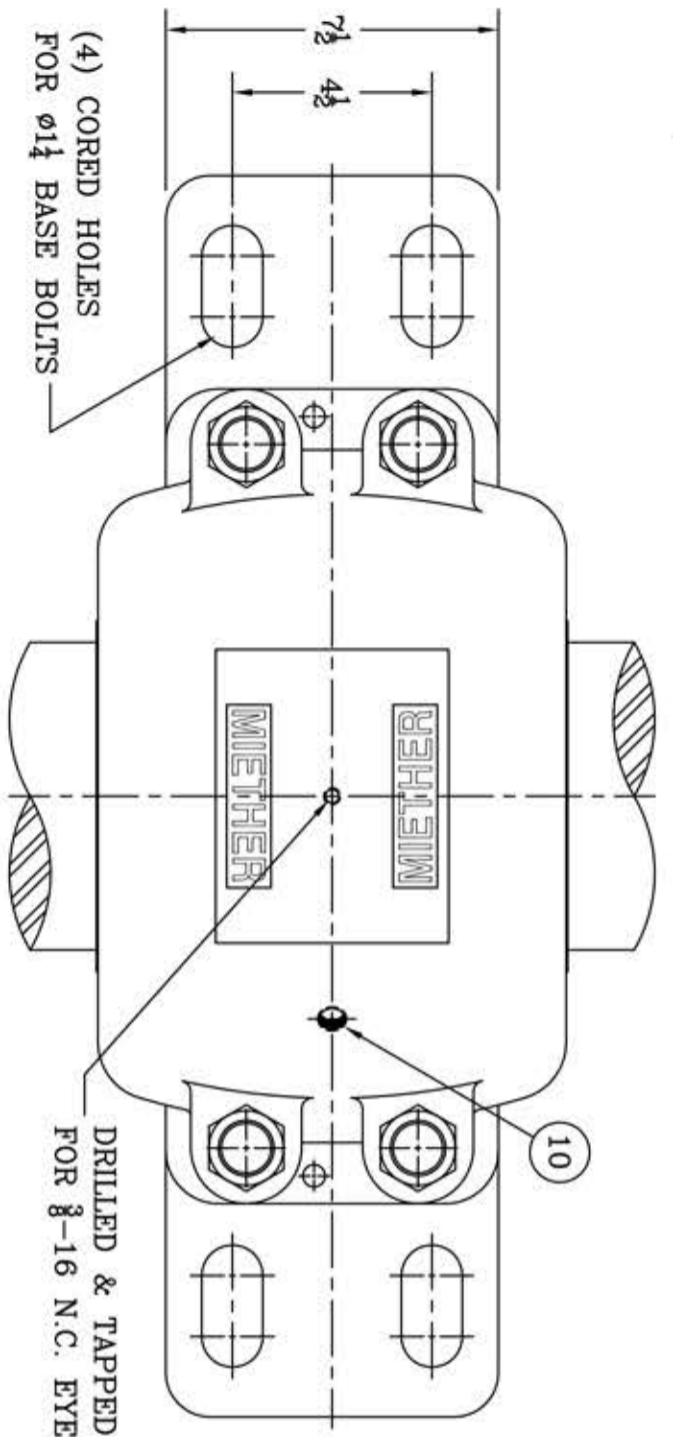
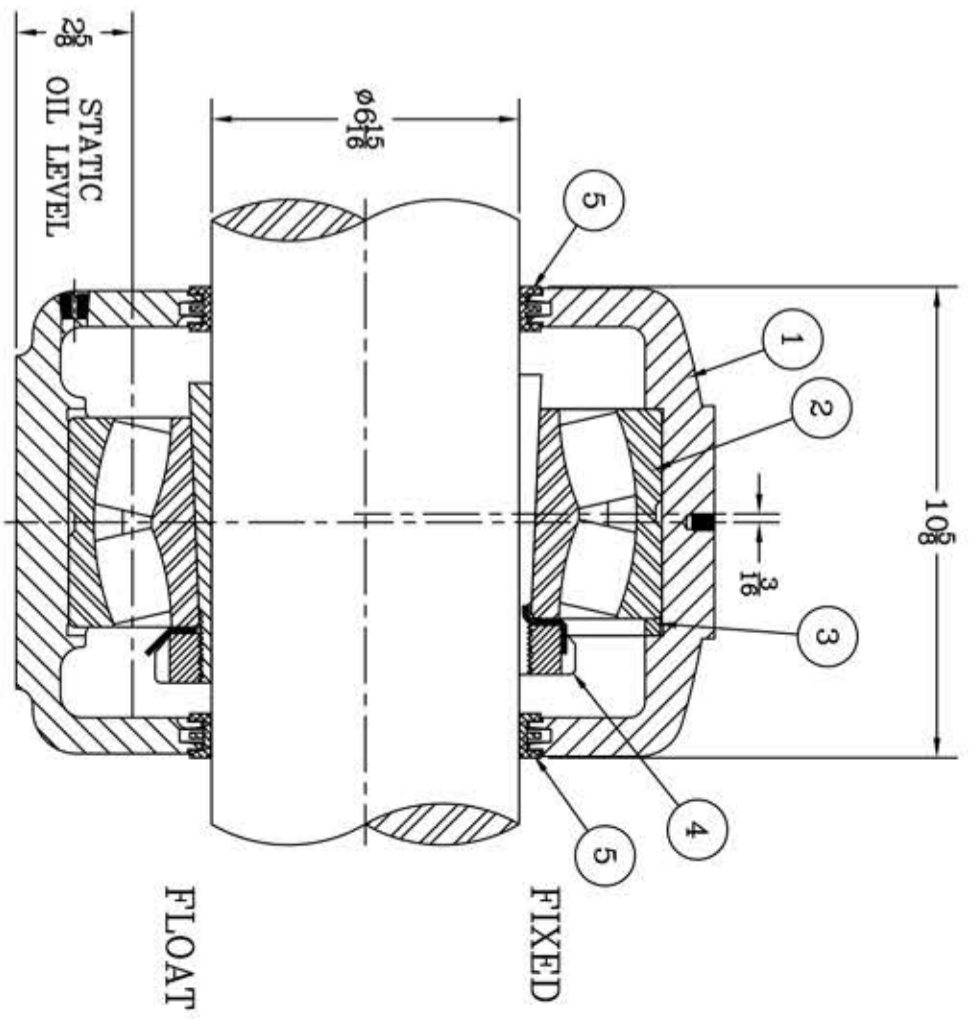


This drawing is the sole property of Miether Bearing Products and contains confidential and proprietary information. It is being provided to you for your use and may not be disclosed to any third party or used for any other purpose without Miether's prior written consent. The [materials] must be returned to the Company upon its demand. Your acceptance of these materials constitutes your acceptance of the foregoing terms.

C-35238



ITEM	DESCRIPTION	DETAIL	REQUIRED
1	HOUSING SAWD-538	C-	1 1
2	SPHERICAL ROLLER BEARING	23238K/W-33	1 1
3	STABILIZING RING SR-38-32	A-10555	1 0
4	ADAPTER SNW-138 x 6 1/8	B-10841	1 1
5	TRIPLE SEAL RING LER-155	A-10554	2 2
6	DOWEL	$\phi 2$ x 1" LONG	2 2
7	CAP BOLT SQUARE HEAD GR.5	1 1/8-7 NC x 12" LONG	4 4
8	CAP BOLT HEX. NUT	1 1/8-7 NC	4 4
9	LOCKWASHER	1 1/8 SPLIT MED.	4 4
10	PIPE PLUG	3/8-18 NPT	3 3



REVISIONS

SYMBOL	DESCRIPTION	MICRO-INCH VALUE
C		16
D		32
E		63
F		125
G		250
J		500
K		1000

TOLERANCE: UNLESS OTHERWISE SPECIFIED

FRACTIONS $\pm 1/32$ "

DECIMALS $\pm .005$ "

CASTING $\pm 1/16$ "

WELD $\pm 1/16$ "

ANGLES $\pm 0^\circ 30'$

A.I.S.I. STANDARD FINISHES

AN ALCO INDUSTRIES COMPANY

BEARING PRODUCTS

ODDESSA, TX. USA

SAWD 23538 06-15

ASSEMBLY DRAWING

SCALE 1 = 3

DRAWN PCF

DATE 1/4/13

CHK:

ASSEMBLY NO.

DRAWING NO.

C-35238